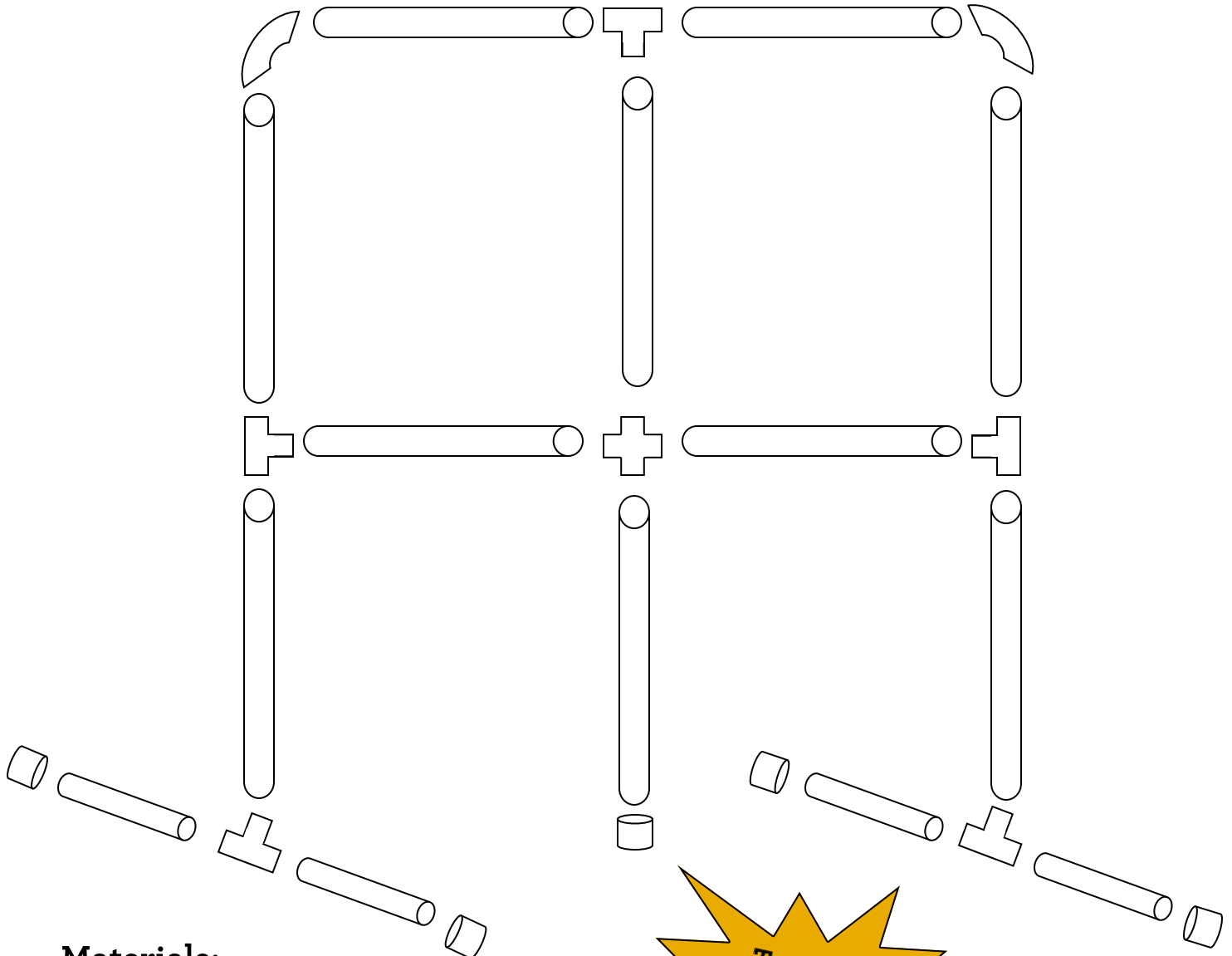


# national historydayMN Build Your Own: Performance Backdrop



## Materials:

8—1-1/2" PVC Pipe cut to 36"  
4—1-1/2" PVC Pipe cut to 12"  
5—1-1/2" PVC Pipe T-connectors  
2—1-1/2" PVC Pipe 90 degree bend  
1—1-1/2" PVC Pipe 4-way connector  
*Optional:* 5—1-1/2" PVC Pipe Caps  
2—Full-size flat sheets of desired color  
(we recommend black for at least one)

\*To save more money, you could use smaller PVC pipe, but we've found that 1-1/2" gives the most stability and holds its shape the best.

**Total cost  
\$45-55!**

## Directions:

1. Cut pipe to desired length
2. Begin fitting together pieces as above
3. Lay out sheet and mark where to sew
4. Sew sheets together
5. You're ready to perform!

\*If you want a smaller backdrop, just shorten the lengths of your PVC and fit together the same way.